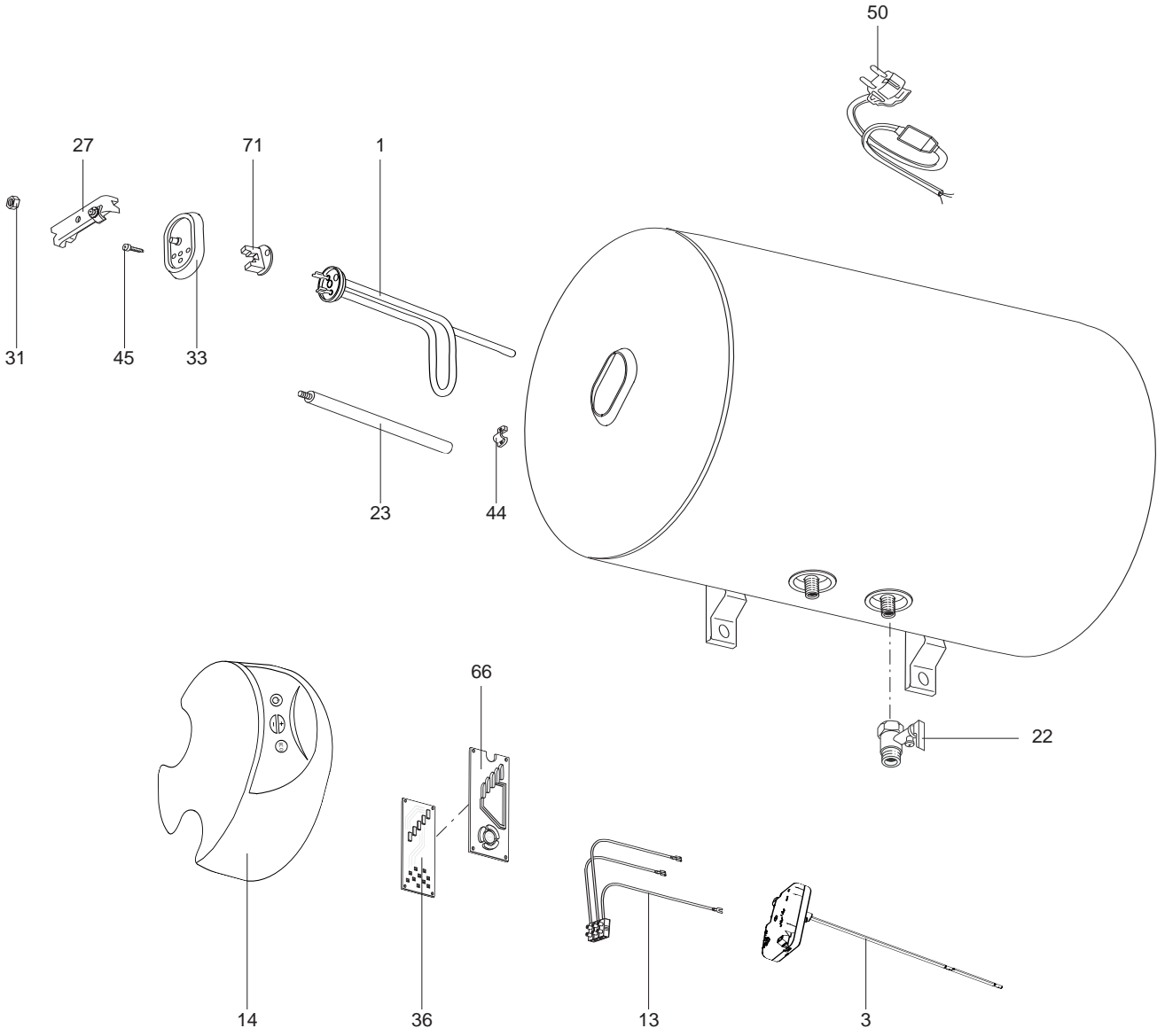


Á Á Á  
Á

## ΑΒΣ ΠΡΟ ΕΚΟ Η

ΑΒΣ ΠΡΟ ΕΚΟ Η ΑΒΣ ΠΡΟ ΕΚΟ Η ΑΒΣ ΠΡΟ ΕΚΟ Η

370 0170		ABS PRO ECO 80 H	...	...
370 0171		ABS PRO ECO 100 H	...	...
Reference	Ind.	Model type	Begin	End



Key№ / Поз-я №	Description	Наименование	Code / Код	Type / Тип	80	100	From / Начиная с	To / До
	<b>06_03_2009</b>	<b>R8216298-02EN - Edition 02</b>						
0001	ELEMENT 1500W 220-240V	ТЭН 1500Вт 220-240В	65100746		*	*		
0003	ELECTRONIC THERMOSTAT	Термостат	65108565		*	*		
0013	WIRING (SUPPLY BOARD)	Проводка (плата силовых цепей)	65108274		*	*		
0014	PLASTIC COVER ABS PRO ECO H	Крышка пластиковая нижняя (ABS PRO ECO H)	65180032		*	*		
0022	SAFETY VALVE WITH LEVER	Предохранительный клапан	571730		*	*		
0023	ANODE D:25,5 L:230 M5	Магниевый анод D:25,5 L:230 M5	993014		*	*		
0027	FLANGE BRACKET	Фиксатор фланца	993011		*	*		
0031	HEXAGONAL NUT	Гайка	570127		*	*		
0033	FLANGE WITH GASKET	Фланец с прокладкой	65108275		*	*		
0036	P.C.B.	Электронная плата управления	65108273		*	*		
0044	CABLE CLAMP	Кабельный зажим	573266		*	*		
0045	SCREW M6X12	Винт М6х12	993000		*	*		
0050	MECHANIC CABLE WITH ELCB	Электрический кабель с УЗО	65150868		*	*		
0066	TRIM	Накладка панели управления	65150954		*	*		
0071	TERMINAL SHIELD (ORANGE)	Электрический изолятор (Оранжевый)	993010		*	*		

## LIST OF THE ABBREVIATIONS

HW .....	: Hot water.
CW .....	: Cold water.
C .....	: Ceramic resistance (normal heating).
Ca .....	: Ceramic resistance (accelerated heating)
TP .....	: Immersion heater.
1F .....	: With fittings.
2F .....	: Without fittings.
3F .....	: With fittings and another outlet connection.
AMI .....	: With mixing valve.
SMI .....	: Without mixing valve.
PUISS .....	: Power of th appliance.
PN .....	: Appliance with normal pression.
LP .....	: Appliance with low pression.
PV .....	: Appliance with variable power.
PF .....	: Appliance with fixed power..

## IDENTIFICATION PLATE

### SERIAL NUMBER

Ex: 03 09 08 (Until 12/06)

OR

Ex: 02 11 00001 007843

Ex: 3200050 XX 070115 0000001 (From 01/07)

The indications mentioned on the prices, commercial or technical literature and the scheme are written for your guidance and are available at a given time. The CONSTRUCTOR retains the power to modify the presentation, the form, the size, the conception or the material of the products.