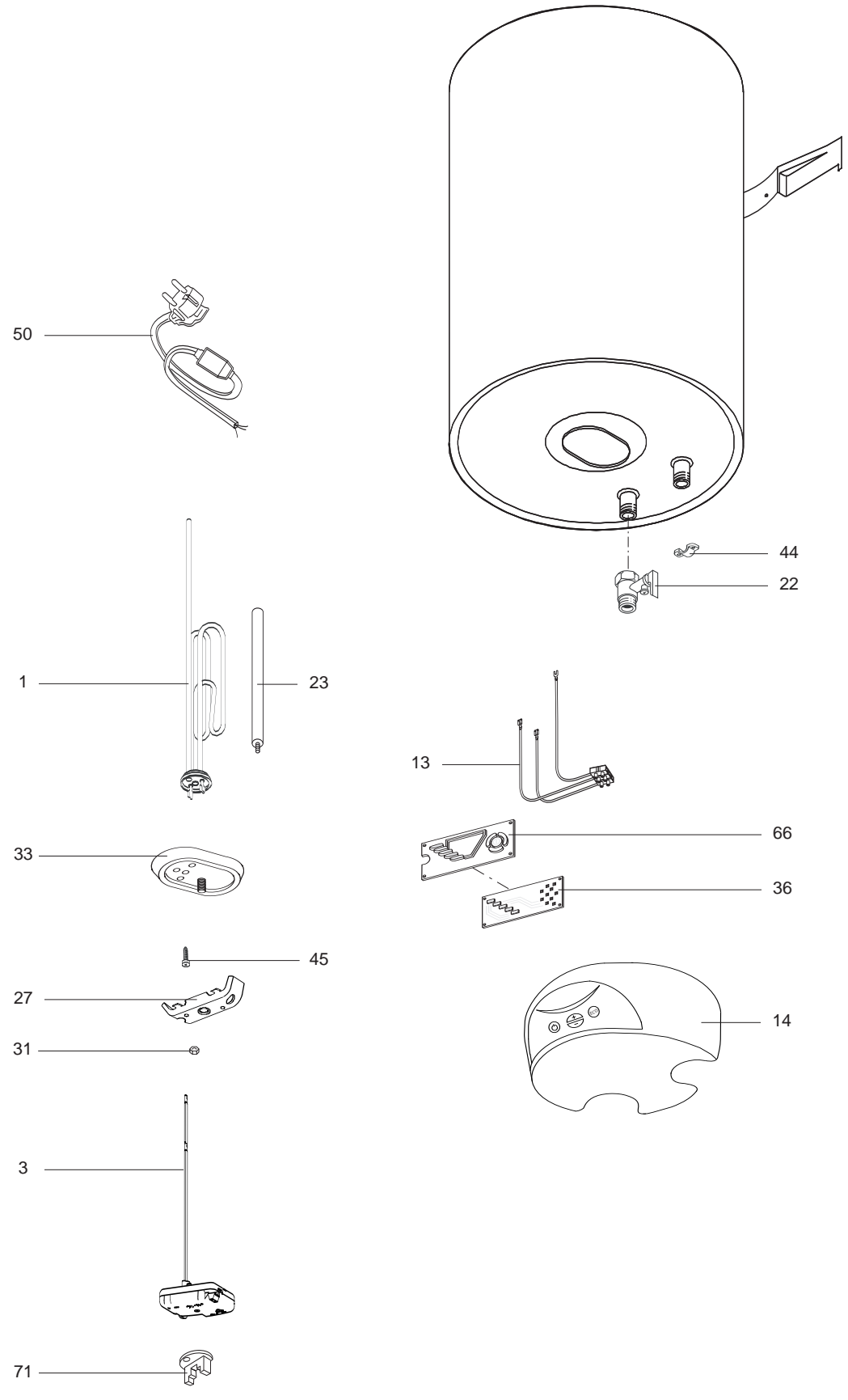


Á Á Á
Á

ARISTON

ARISTON

370 0165		ABS PRO ECO 50 V
370 0166		ABS PRO ECO 80 V
370 0167		ABS PRO ECO 100 V
370 0168		ABS PRO ECO 120 V
370 0169		ABS PRO ECO 150 V
Reference	Ind.	Model type	Begin	End



Key№ / Поз-я №	Description	Наименование	Code / Код	Type / Тип	50V	80V	100V	120V	150V	From / Начиная с	To / До
	02_12_2008	R8216296-01EN - Edition 01									
0001	ELEMENT 1800W 230V	ТЭН 1800Вт / 230В	65103481					*	*		
	ELEMENT 1500W 230V	ТЭН 1500Вт / 230В	816616		*	*	*				
0003	ELECTRONIC THERMOSTAT	Термостат электронный	65107537		*	*	*	*	*		
0013	WIRING (SUPPLY BOARD)	Проводка (плата силовых цепей)	65108274		*	*	*	*	*		
0014	PLASTIC COVER ABS PRO ECO	Крышка пластиковая нижняя (ABS PRO ECO)	65180021		*	*	*	*	*		
0022	SAFETY VALVE WITH LEVER	Предохранительный клапан	571730		*	*	*	*	*		
0023	ANODE D:25,5 L:230 M5	Магнийевый анод D:25,5 L:230 M5	993014		*	*	*	*	*		
0027	FLANGE BRACKET	Фиксатор фланца	993011		*	*	*	*	*		
0031	HEXAGONAL NUT	Гайка	570127		*	*	*	*	*		
0033	FLANGE WITH GASKET	Фланец с прокладкой	65108275		*	*	*	*	*		
0036	P.C.B.	Электронная плата управления	65108273		*	*	*	*	*		
0044	CABLE CLAMP	Кабельный зажим	573266		*	*	*	*	*		
0045	SCREW M6X12	Винт М6х12	993000		*	*	*	*	*		
0050	MECHANIC CABLE WITH ELCB	Электрический кабель с УЗО	65150868		*	*	*	*	*		
0066	TRIM	Накладка панели управления	65150954		*	*	*	*	*		
0071	TERMINAL SHIELD (YELLOW)	Электрический изолятор (Желтый)	65103482					*	*		
	TERMINAL SHIELD (ORANGE)	Электрический изолятор (Оранжевый)	993010		*	*	*				

LIST OF THE ABBREVIATIONS

HW	: Hot water.
CW	: Cold water.
C	: Ceramic resistance (normal heating).
Ca	: Ceramic resistance (accelerated heating)
TP	: Immersion heater.
1F	: With fittings.
2F	: Without fittings.
3F	: With fittings and another outlet connection.
AMI	: With mixing valve.
SMI	: Without mixing valve.
PUISS	: Power of th appliance.
PN	: Appliance with normal pression.
LP	: Appliance with low pression.
PV	: Appliance with variable power.
PF	: Appliance with fixed power..

IDENTIFICATION PLATE

SERIAL NUMBER

Ex: 03 09 08 (Until 12/06)

OR

Ex: 02 11 00001 007843

Ex: 3200050 XX 070115 0000001 (From 01/07)

The indications mentioned on the prices, commercial or technical literature and the scheme are written for your guidance and are available at a given time. The CONSTRUCTOR retains the power to modify the presentation, the form, the size, the conception or the material of the products.