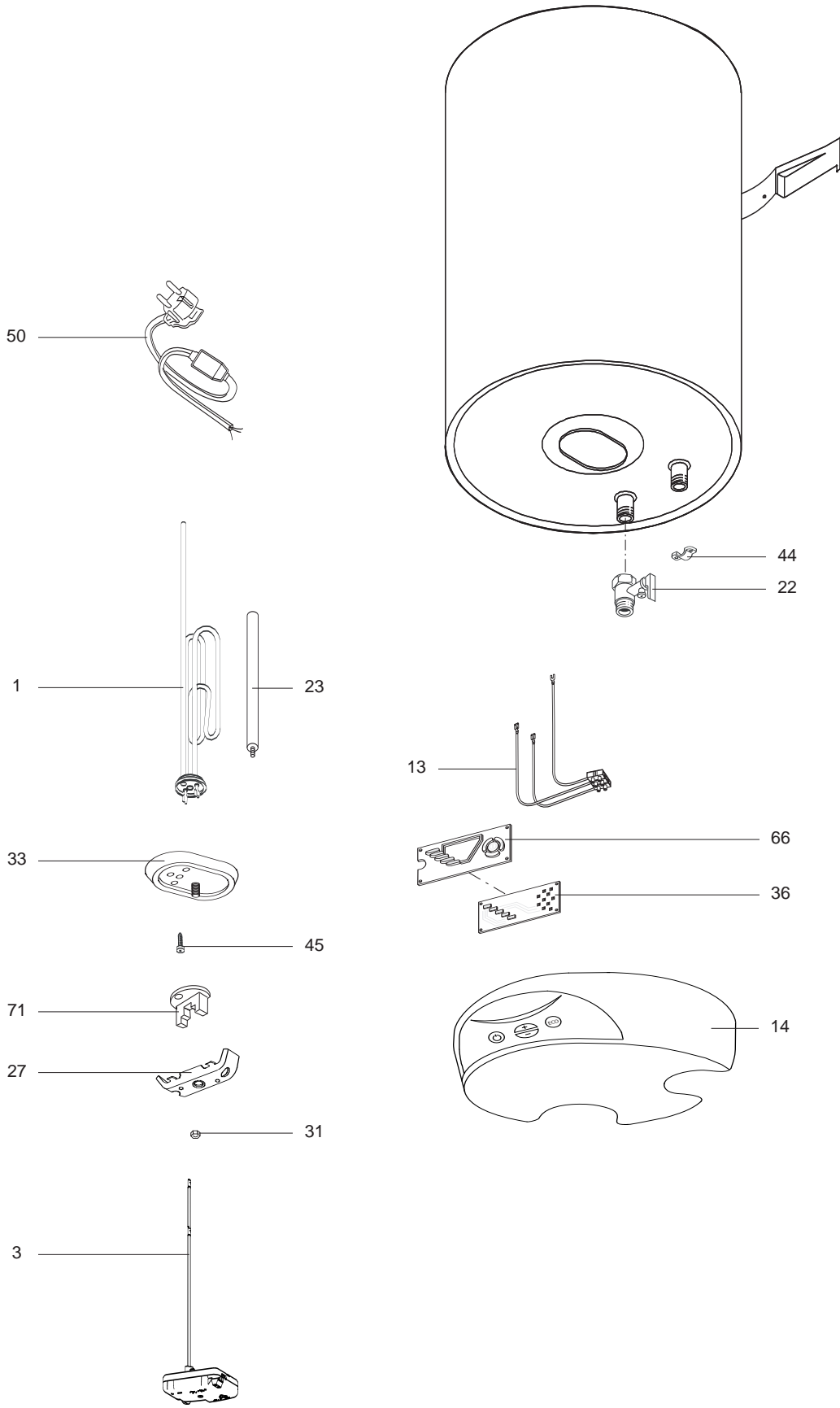


Á Á Á  
Á

## ABS PLT ECO SLIM

Üì Gfì HFÖÈÒPÄZÖää } AEFÄFÖGÖÖÈ

370 0190		ABS PLT ECO 30 V SLIM	...	...
370 0191		ABS PLT ECO 50 V SLIM	...	...
370 0192		ABS PLT ECO 65 V SLIM	...	...
370 0193		ABS PLT ECO 80 V SLIM	...	...
Reference	Ind.	Model type	Begin	End



Key№ / Поз-я №	Description	Наименование	Code / Код	Type / Тип	30V	50V	65V	80V	From / Начиная с	To / До
					slim	slim	slim	slim		
	<b>10_12_2008</b>	<b>R8216312-01EN - Edition 01</b>								
0001	ELEMENT 1500W 230V	ТЭН 1500Вт / 230В	816616		*	*	*	*		
0003	ELECTRONIC THERMOSTAT	Термостат электронный	65107537		*	*	*	*		
0013	WIRING (SUPPLY BOARD)	Проводка (плата силовых цепей)	65108274		*	*	*	*		
0014	PLASTIC COVER ABS PLT ECO	Крышка пластиковая нижняя (ABS PLT ECO slim)	65180037		*	*	*	*		
0022	SAFETY VALVE WITH LEVER	Предохранительный клапан	571730		*	*	*	*		
0023	ANODE D:16 L:150 M5	Магниевый анод D:16 L:150 M5	65103326		*	*	*	*		
0027	FLANGE BRACKET (COMPLETE)	Фиксатор фланца	65180014		*	*	*	*		
0031	HEXAGONAL NUT	Гайка	570127		*	*	*	*		
0033	FLANGE WITH GASKET	Фланец с прокладкой	65103691		*	*	*	*		
0036	P.C.B.	Электронная плата управления	65108273		*	*	*	*		
0044	CABLE CLAMP	Кабельный зажим	573266		*	*	*	*		
0045	SCREW M6X12	Винт М6х12	993000		*	*	*	*		
0050	MECHANIC CABLE WITH ELCB	Электрический кабель с УЗО	65150868		*	*	*	*		
0066	TRIM	Накладка панели управления	65150960		*	*	*	*		
0071	TERMINAL SHIELD (ORANGE)	Электрический изолятор (Оранжевый)	993010		*	*	*	*		

## LIST OF THE ABBREVIATIONS

HW .....	: Hot water.
CW .....	: Cold water.
C .....	: Ceramic resistance (normal heating).
Ca .....	: Ceramic resistance (accelerated heating)
TP .....	: Immersion heater.
1F .....	: With fittings.
2F .....	: Without fittings.
3F .....	: With fittings and another outlet connection.
AMI .....	: With mixing valve.
SMI .....	: Without mixing valve.
PUISS .....	: Power of th appliance.
PN .....	: Appliance with normal pression.
LP .....	: Appliance with low pression.
PV .....	: Appliance with variable power.
PF .....	: Appliance with fixed power..

## IDENTIFICATION PLATE

### SERIAL NUMBER

Ex: 03 09 08 (Until 12/06)

Manufacturing day  
 Month of manufacture : from 1 to 12 → January to December  
 Year of manufacture

OR

Ex: 02 11 00001 007843

Product reference  
 Sequential number  
 Month of manufacture  
 Year of manufacture

Ex: 3200050 XX 070115 0000001 (From 01/07)

Sequential number  
 Year (07) / Month (01) / Manufacture day (15)  
 Product reference

The indications mentioned on the prices, commercial or technical literature and the scheme are written for your guidance and are available at a given time. The CONSTRUCTOR retains the power to modify the presentation, the form, the size, the conception or the material of the products.