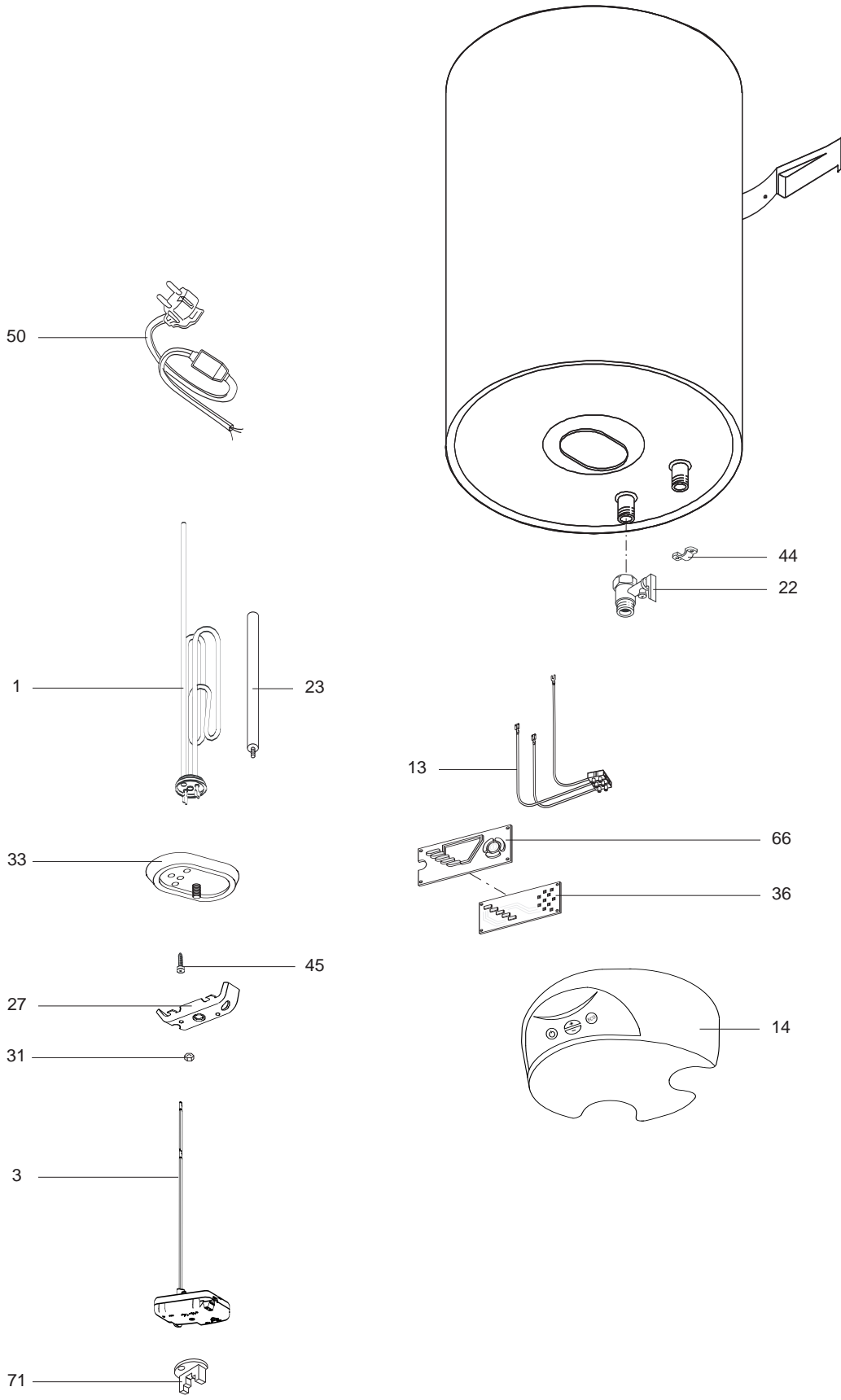


Á Á Á
Á

ABS PLT ECO

Üì Gfì HFFÈ FÒ P/ÄZÒää } ÄFÄZ F EF GÖCÈ

370 0187		ABS PLT ECO 50 V
370 0188		ABS PLT ECO 80 V
370 0189		ABS PLT ECO 100 V
Reference	Ind.	Model type	Begin	End



Key№ / Поз-я №	Description	Наименование	Code / Код	Type / Тип	50V	80V	100V	From / Начиная с	To / До
	10_12_2008	R8216311-01EN - Edition 01							
0001	ELEMENT 1500W 230V	ТЭН 1500Вт / 230В	816616		*	*	*		
0003	ELECTRONIC THERMOSTAT	Термостат электронный	65108296		*	*	*		
0013	WIRING (SUPPLY BOARD)	Проводка (плата силовых цепей)	65108274		*	*	*		
0014	PLASTIC COVER ABS PLT ECO	Крышка пластиковая нижняя (ABS PLT ECO)	65180036		*	*	*		
0022	SAFETY VALVE WITH LEVER	Предохранительный клапан	571730		*	*	*		
0023	ANODE D:16 L:150 M5	Магнийевый анод D:16 L:150 M5	65103326		*	*	*		
0027	FLANGE BRACKET (COMPLETE)	Фиксатор фланца	65180014		*	*	*		
0031	HEXAGONAL NUT	Гайка	570127		*	*	*		
0033	FLANGE WITH GASKET	Фланец с прокладкой	65103691		*	*	*		
0036	P.C.B.	Электронная плата управления	65108273		*	*	*		
0044	CABLE CLAMP	Кабельный зажим	573266		*	*	*		
0045	SCREW M6X12	Винт М6х12	993000		*	*	*		
0050	MECHANIC CABLE WITH ELCB	Электрический кабель с УЗО	65150868		*	*	*		
0066	TRIM	Накладка панели управления	65150954		*	*	*		
0071	TERMINAL SHIELD (ORANGE)	Электрический изолятор (Оранжевый)	993010		*	*	*		

LIST OF THE ABBREVIATIONS

HW	: Hot water.
CW	: Cold water.
C	: Ceramic resistance (normal heating).
Ca	: Ceramic resistance (accelerated heating)
TP	: Immersion heater.
1F	: With fittings.
2F	: Without fittings.
3F	: With fittings and another outlet connection.
AMI	: With mixing valve.
SMI	: Without mixing valve.
PUISS	: Power of th appliance.
PN	: Appliance with normal pression.
LP	: Appliance with low pression.
PV	: Appliance with variable power.
PF	: Appliance with fixed power..

IDENTIFICATION PLATE

SERIAL NUMBER

Ex: 03 09 08 (Until 12/06)
 Manufacturing day
 Month of manufacture : from 1 to 12 → January to December
 Year of manufacture

OR
 Ex: 02 11 00001 007843
 Product reference
 Sequential number
 Month of manufacture
 Year of manufacture

Ex: 3200050 XX 070115 0000001 (From 01/07)
 Sequential number
 Year (07) / Month (01) / Manufacture day (15)
 Product reference

The indications mentioned on the prices, commercial or technical literature and the scheme are written for your guidance and are available at a given time. The CONSTRUCTOR retains the power to modify the presentation, the form, the size, the conception or the material of the products.