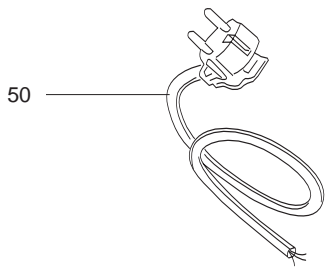
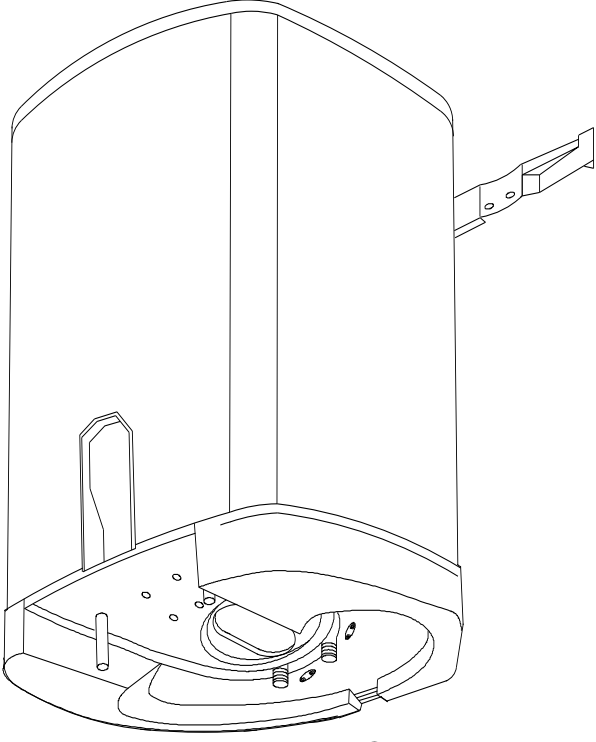
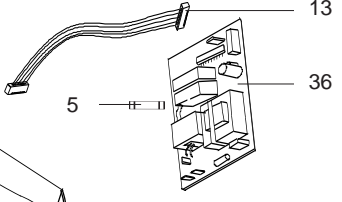
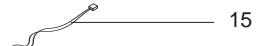
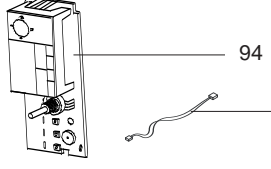
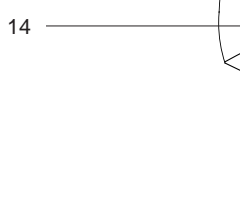
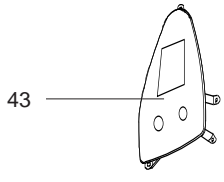
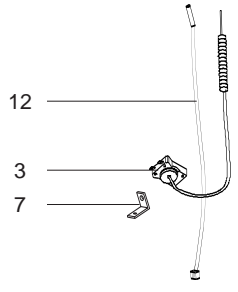
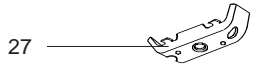
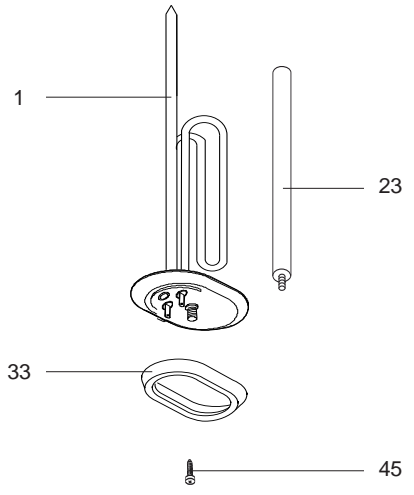
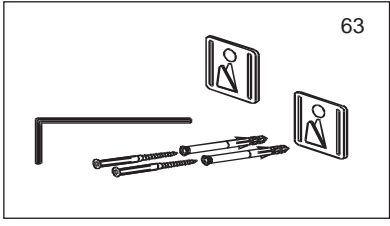


Á Á Á  
Á

## ΑΒΣ ΤΙ-ΣΗΡ ΠΛΥΣ

ΑΒΣ ΤΙ-ΣΗΡ ΠΛΥΣ 50, 80, 100

360 5091		ABS TI-SHP PLUS 50	...	...
360 5092		ABS TI-SHP PLUS 80	...	...
360 5093		ABS TI-SHP PLUS 100	...	...
Reference	Ind.	Model type	Begin	End



Key№ / Позиция№	Description	Наименование	Code/Код	Type/Тип	50	80	100	From / Начиная с	To / До
<b>27 11 2008</b>									
0001	HEATING ELEMENT 2000W 220-240V	ТЭН 2000Вт 220-240В	65150892		*	*	*		
0003	THERMOSTAT	Термостат STB/902 115	976767		*	*	*		
0005	FAST FUSE 2A	Плавкий предохранитель 2А	950030		*	*	*		
0007	THERMOSTAT BRACKET	Держатель термостата	977129		*	*	*		
0012	TEMPERATURE PROBE	Датчик температуры	976768		*	*	*		
0013	WIRING (SUPPLY BOARD)	Электрическая проводка	65150434		*	*	*		
0014	FRONT COVER	Крышка пластиковая передняя	977077		*	*	*		
0015	WIRING 1,5 x 260	Проводка 1,5 x 260	977342		*	*	*		
0022	SAFETY VALVE WITH LEVER	Предохранительный клапан	571730		*	*	*		
0023	MAGNESIUM ANODE D:25.5 L:180 M5	Магниевый анод D:25,5 L:180	977127		*	*	*		
0027	FLANGE BRACKET	Фиксатор фланца	993011		*	*	*		
0033	FLANGE GASKET	Прокладка фланца	570177		*	*	*		
0036	POWER P.C.B.	Электронная плата управления	65150442		*	*	*		
0040	PLASTIC COVER	Крышка пластиковая нижняя	65150053		*	*	*		
0043	PLASTIC COVER	Крышка пластиковая панели управления	65150439		*	*	*		
0044	CABLE CLAMP	Фиксатор кабеля	573266		*	*	*		
0045	SCREW M6X12	Винт М6х12	993000		*	*	*		
0050	POWER CABLE	Электрический кабель	65150939		*	*	*		
0063	INSTALLATION ACCESSORY	Принадлежности для монтажа	976160		*	*	*		
0094	P.C.B.	Электронная плата дисплея	65150443		*	*	*		

## LIST OF THE ABBREVIATIONS

HW .....	: Hot water.
CW .....	: Cold water.
C .....	: Ceramic resistance (normal heating).
Ca .....	: Ceramic resistance (accelerated heating)
TP .....	: Immersion heater.
1F .....	: With fittings.
2F .....	: Without fittings.
3F .....	: With fittings and another outlet connection.
AMI .....	: With mixing valve.
SMI .....	: Without mixing valve.
PUISS .....	: Power of th appliance.
PN .....	: Appliance with normal pression.
LP .....	: Appliance with low pression.
PV .....	: Appliance with variable power.
PF .....	: Appliance with fixed power..

## IDENTIFICATION PLATE

### SERIAL NUMBER

Ex: 03 09 08 (Until 12/06)  
 Manufacturing day  
 Month of manufacture : from 1 to 12 → January to December  
 Year of manufacture

OR  
 Ex: 02 11 00001 007843  
 Product reference  
 Sequential number  
 Month of manufacture  
 Year of manufacture

Ex: 3200050 XX 070115 0000001 (From 01/07)  
 Sequential number  
 Year (07) / Month (01) / Manufacture day (15)  
 Product reference

The indications mentionned on the prices, commercial or technical literature and the scheme are written for your guidance and are available at a given time. The CONSTRUCTOR retains the power to modify the presentation, the form, the size, the conception or the material of the products.