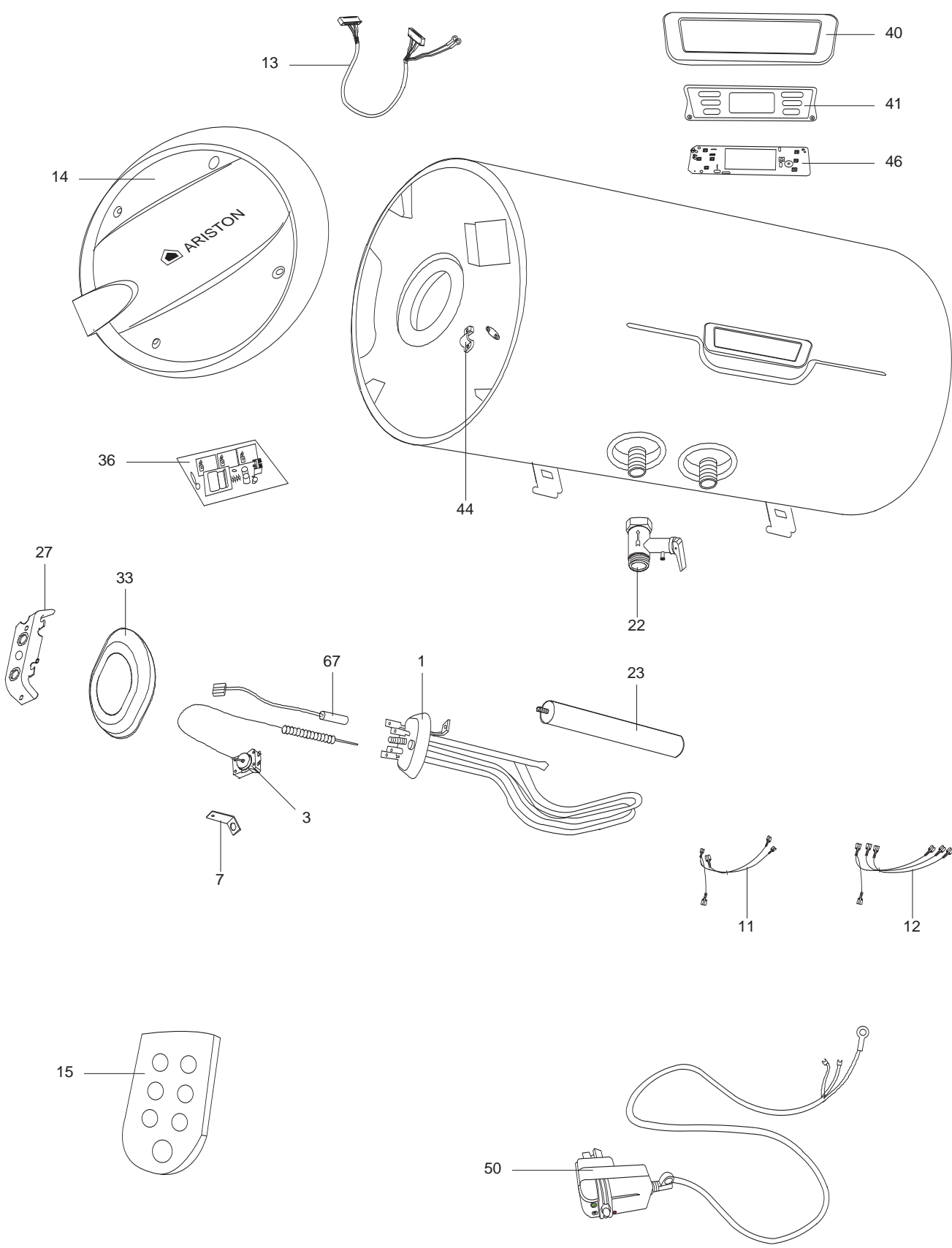


Á Á Á
 Á Á

ARISTON

ARISTON

360 5055		AM 50SH2.0 Ei3 FE
360 5056		AM 60SH2.0 Ei3 FE
Reference	Ind.	Model type	Begin	End



Key№ / Позиция№	Description	Наименование	Code/Код	Type/Тип	50	65	From / Начиная с	To / До
27 08 2008		Редакция 01						
0001	HEATING ELEMENT 2000W /220V	ТЭН 2000 Вт 220В	65150385		*	*		
0003	THERMOSTAT	Термостат	181430		*	*		
0007	THERMOSTAT BRACKET	Кронштейн термостата	977129		*	*		
0011	WIRE HARNESS D=1,5x280	Электрическая проводка D=1,5x280	65150302		*	*		
0012	WIRE HARNESS D=1,5x300	Электрическая проводка D=1,5x300	65150306		*	*		
0013	CONTROL CABLE	Электрический шлейф панели управления	65150840		*	*		
0014	BIG PLASTIC COVER	Крышка пластиковая	65150476		*	*		
0015	REMOTE CONTROLLER	Пульт дистанционного управления	65150842		*	*		
0022	SAFETY VALVE WITH LEVER	Предохранительный клапан	571730		*	*		
0023	MAGNESIUM ANODE D:25.5 L:180	Магниевый анод D:25.5 L:180	977127		*	*		
0027	FLANGE BRACKET	Фиксатор фланца	65150841		*	*		
0033	FLANGE GASKET	Уплотнение фланца	570177		*	*		
0036	POWER BOARD	Электронная плата	65150839		*	*		
0040	CONTROLLER FRONT COVER	Декоративная панель	65150474		*	*		
0041	CONTROL BOARD STI	Накладка панели управления	65150844		*	*		
0044	CABLE CLAMP	Фиксатор кабеля	573266		*	*		
0046	DISPLAY	Электронная плата (Дисплей)	65150843		*	*		
0050	POWER CABLE WITH ELCB	Улектрический кабель с УЗО и электрической вилкой	65150845		*	*		
0067	TEMPERATURE PROBE	Температурный датчик	976768		*	*		

LIST OF THE ABBREVIATIONS

HW	: Hot water.
CW	: Cold water.
C	: Ceramic resistance (normal heating).
Ca	: Ceramic resistance (accelerated heating)
TP	: Immersion heater.
1F	: With fittings.
2F	: Without fittings.
3F	: With fittings and another outlet connection.
AMI	: With mixing valve.
SMI	: Without mixing valve.
PUISS	: Power of th appliance.
PN	: Appliance with normal pression.
LP	: Appliance with low pression.
PV	: Appliance with variable power.
PF	: Appliance with fixed power..

IDENTIFICATION PLATE

SERIAL NUMBER

Ex: 03 09 08 (Until 12/06)

Manufacturing day
Month of manufacture : from 1 to 12 → January to December
Year of manufacture

OR

Ex: 02 11 00001 007843

Product reference
Sequential number
Month of manufacture
Year of manufacture

Ex: 3200050 XX 070115 0000001 (From 01/07)

Sequential number
Year (07) / Month (01) / Manufacturing day (15)
Product reference

The indications mentioned on the prices, commercial or technical literature and the scheme are written for your guidance and are available at a given time. The CONSTRUCTOR retains the power to modify the presentation, the form, the size, the conception or the material of the products.