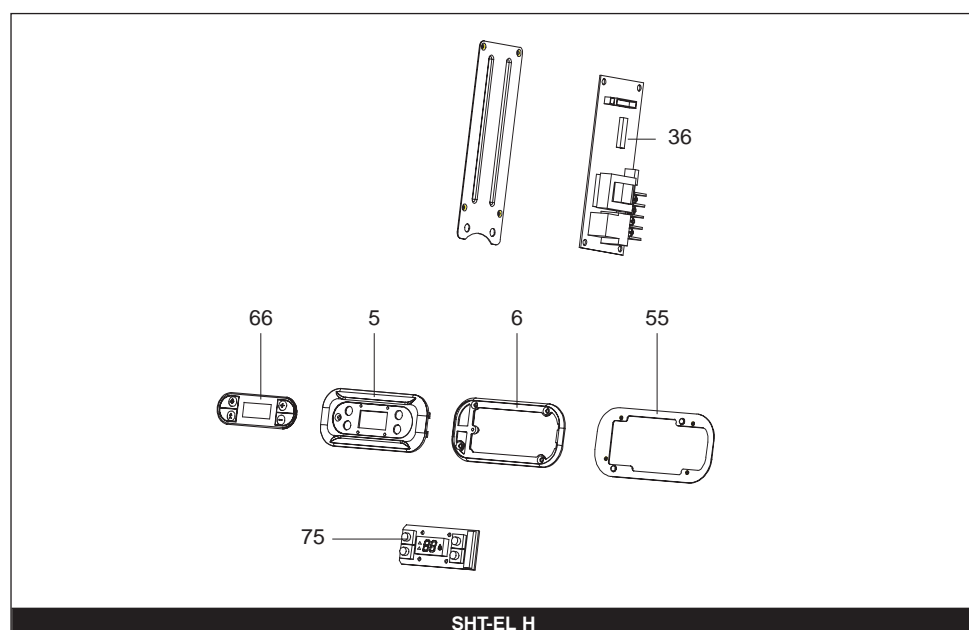
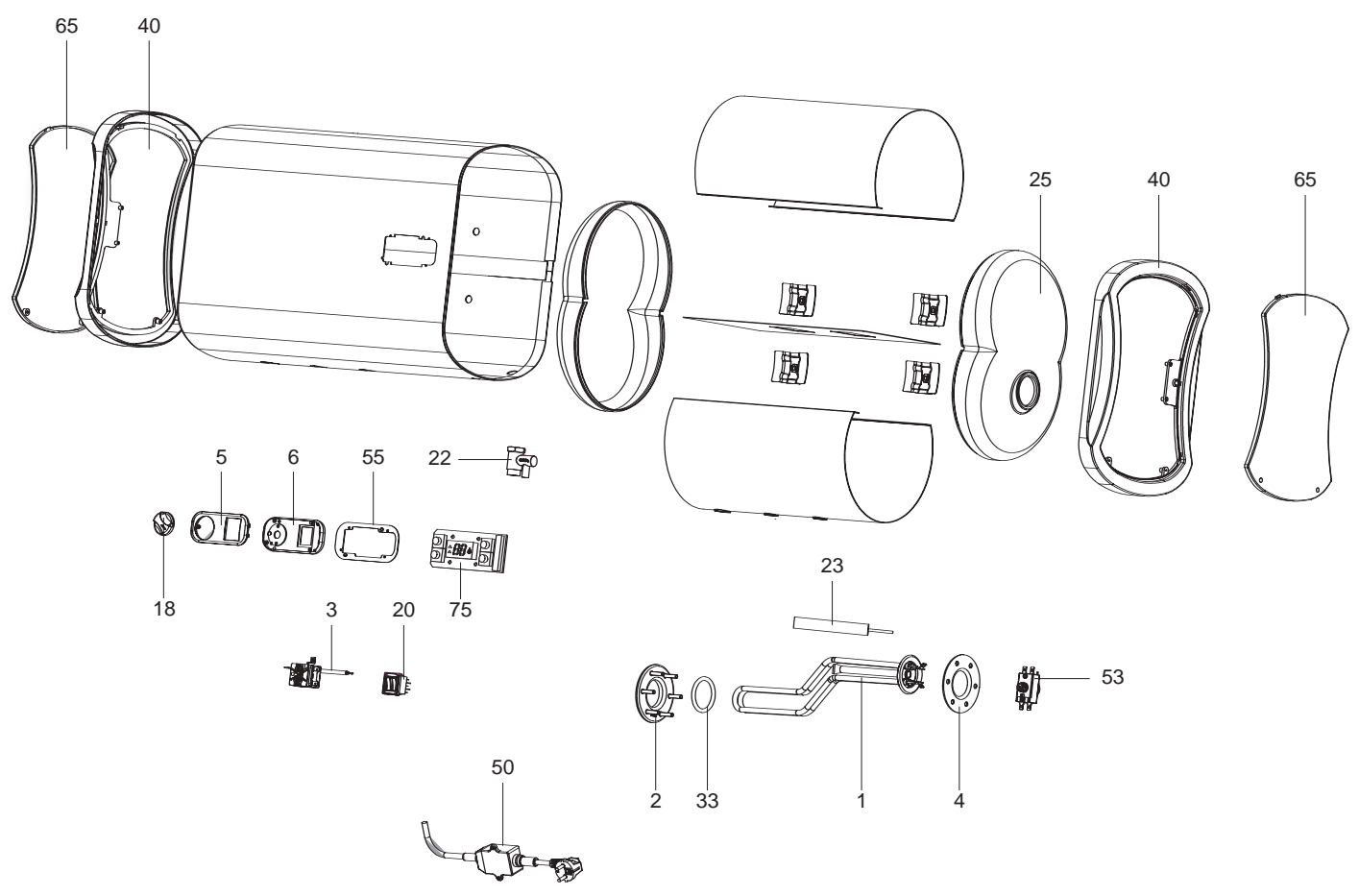


Á Á Á  
Á Á

## ÚPVAČSD

Üì Gfí G HEGÒP ÁZÒãã } AEGÄF J B GDeè

360 5061		SHT30H	...	...
360 5069		SHT-EL30H	...	...
360 5062		SHT50H	...	...
360 5070		SHT-EL50H	...	...
360 5063		SHT80H	...	...
360 5071		SHT-EL80H	...	...
360 5064		SHT100H	...	...
360 5072		SHT-EL100H	...	...
Reference	Ind.	Model type	Begin	End



SHT-EL H



## LIST OF THE ABBREVIATIONS

HW .....	: Hot water.
CW .....	: Cold water.
C .....	: Ceramic resistance (normal heating).
Ca .....	: Ceramic resistance (accelerated heating)
TP .....	: Immersion heater.
1F .....	: With fittings.
2F .....	: Without fittings.
3F .....	: With fittings and another outlet connection.
AMI .....	: With mixing valve.
SMI .....	: Without mixing valve.
PUISS .....	: Power of th appliance.
PN .....	: Appliance with normal pression.
LP .....	: Appliance with low pression.
PV .....	: Appliance with variable power.
PF .....	: Appliance with fixed power..

## IDENTIFICATION PLATE

### SERIAL NUMBER

Ex: 03 09 08 (Until 12/06)

OR

Ex: 02 11 00001 007843

Ex: 3200050 XX 070115 0000001 (From 01/07)

The indications mentioned on the prices, commercial or technical literature and the scheme are written for your guidance and are available at a given time. The CONSTRUCTOR retains the power to modify the presentation, the form, the size, the conception or the material of the products.