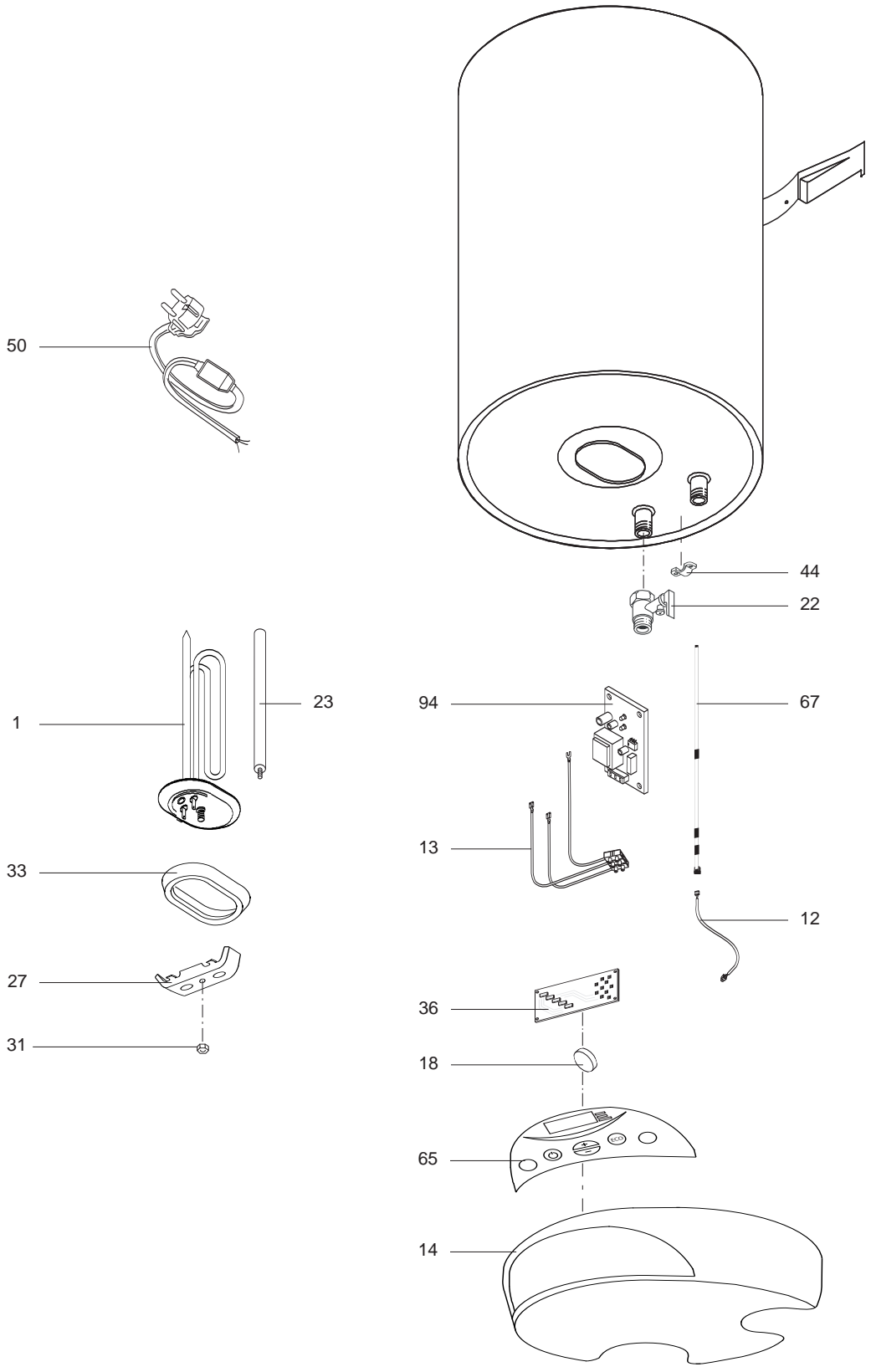


Á Á Á
Á

ABS PRO PLUS PW SLIM

Üì Gfí HEJ ÈFÒP ÁZÒãã } ÁEFAZU B GDEÈ

370 0183		ABS PRO PLUS PW 30 V SLIM
370 0184		ABS PRO PLUS PW 50 V SLIM
370 0185		ABS PRO PLUS PW 65 V SLIM
370 0186		ABS PRO PLUS PW 80 V SLIM
Reference	Ind.	Model type	Begin	End



Key№ / Поз-я №	Description	Наименование	Code / Код	Type / Тип	30V	50V	65V	80V	From / Начиная с	To / До
					slim	slim	slim	slim		
	09_12_2008	R8216309-01EN - Edition 01								
0001	HEATING ELEMENT 1000/1500W 230V	ТЭН 1000/1500Вт / 230В	65150909		*	*	*	*		
0012	WIRING (PROBE)	Проводка (для датчика температуры)	65102590		*	*	*	*		
0013	WIRING P.C.B.	Проводка (плата силовых цепей)	65108285		*	*	*	*		
0014	PLASTIC COVER	Крышка пластиковая нижняя	65150967		*	*	*	*		
0018	KNOB	Ручка	65150963		*	*	*	*		
0022	SAFETY VALVE WITH LEVER	Предохранительный клапан	571730		*	*	*	*		
0023	ANODE D:21,3 L:180 M5	Магниевый анод D:25,5 L:230 M5	65180015		*	*	*	*		
0027	FLANGE BRACKET	Фиксатор фланца	65150841		*	*	*	*		
0031	HEXAGONAL NUT	Гайка	570127		*	*	*	*		
0033	FLANGE GASKET	Фланец с прокладкой	570177		*	*	*	*		
0036	P.C.B.	Электронная плата панели управления	65150964		*	*	*	*		
0044	CABLE CLAMP	Кабельный зажим	573266		*	*	*	*		
0050	POWER CABLE WITH ELCB	Электрический кабель с УЗО	65150965		*	*	*	*		
0065	DISPLAY	Дисплей	65150966		*	*	*	*		
0067	SENSOR	Температурный датчик	65102543		*	*	*	*		
0094	P.C.B.	Электронная плата управления	65108284		*	*	*	*		

LIST OF THE ABBREVIATIONS

HW	: Hot water.
CW	: Cold water.
C	: Ceramic resistance (normal heating).
Ca	: Ceramic resistance (accelerated heating)
TP	: Immersion heater.
1F	: With fittings.
2F	: Without fittings.
3F	: With fittings and another outlet connection.
AMI	: With mixing valve.
SMI	: Without mixing valve.
PUISS	: Power of th appliance.
PN	: Appliance with normal pression.
LP	: Appliance with low pression.
PV	: Appliance with variable power.
PF	: Appliance with fixed power..

IDENTIFICATION PLATE

SERIAL NUMBER

Ex: 03 09 08 (Until 12/06)

OR

Ex: 02 11 00001 007843

Ex: 3200050 XX 070115 0000001 (From 01/07)

The indications mentioned on the prices, commercial or technical literature and the scheme are written for your guidance and are available at a given time. The CONSTRUCTOR retains the power to modify the presentation, the form, the size, the conception or the material of the products.